



LED Underbody Light Kit Installation Instructions

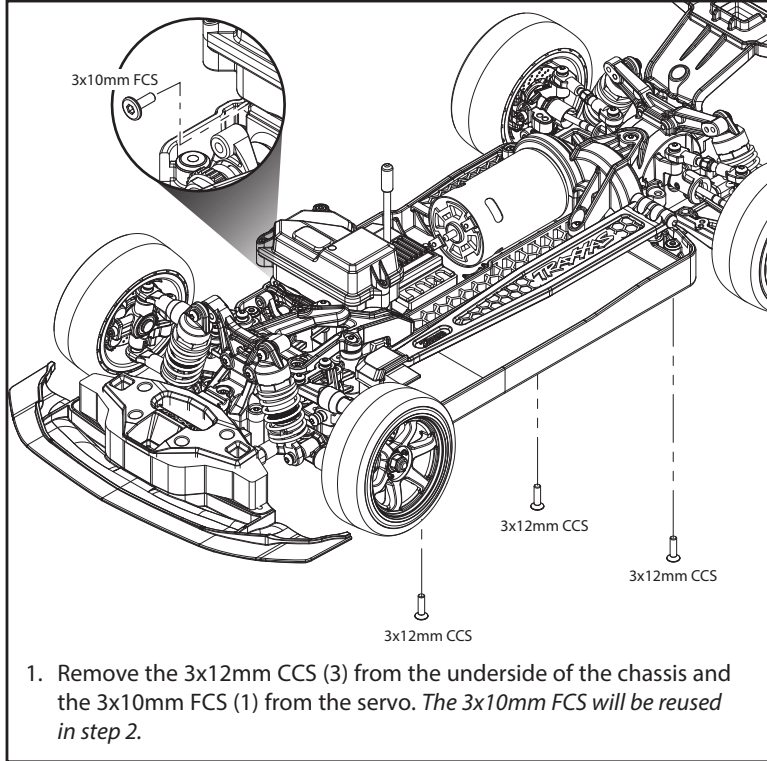
Covers Parts #10590-BLUE, #10590-GRN #10590-RED, #10590-WHT

Kit Contents:

- LED underbody light assemblies (left & right)
- 3-volt accessory power supply
- Telemetry expander mount
- LED power harness
- 3x20mm countersunk cap screws (CCS) (1)
- 3x23mm countersunk cap screws (CCS) (2)
- 3x10mm button-head cap screws (BCS) (2)
- M3x0.5 nylon locknuts (NL) (3)
- Zip ties (5)

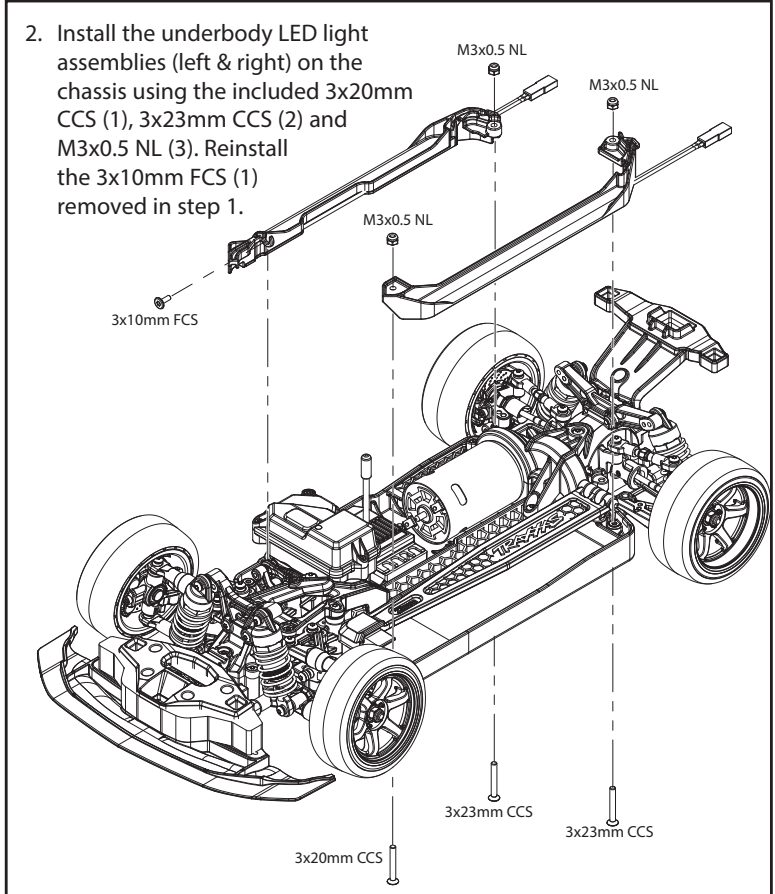
Tools needed:

- 2.5mm hex wrench
- 2.0mm hex wrench
- 5.5mm nut driver

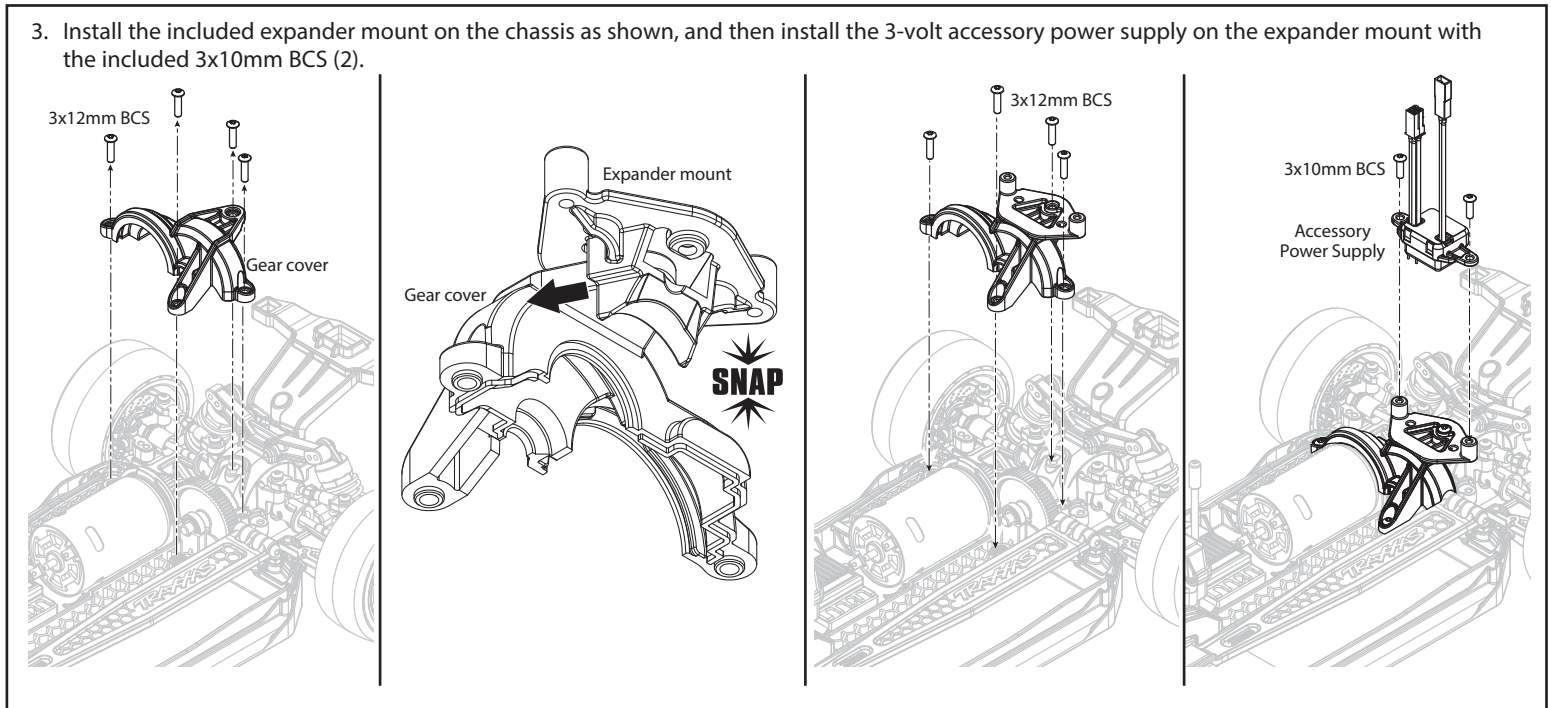


1. Remove the 3x12mm CCS (3) from the underside of the chassis and the 3x10mm FCS (1) from the servo. The 3x10mm FCS will be reused in step 2.

If you have questions or need technical assistance, call Traxxas at
1-888-TRAXXAS
 (1-888-872-9927) (U.S. residents only)

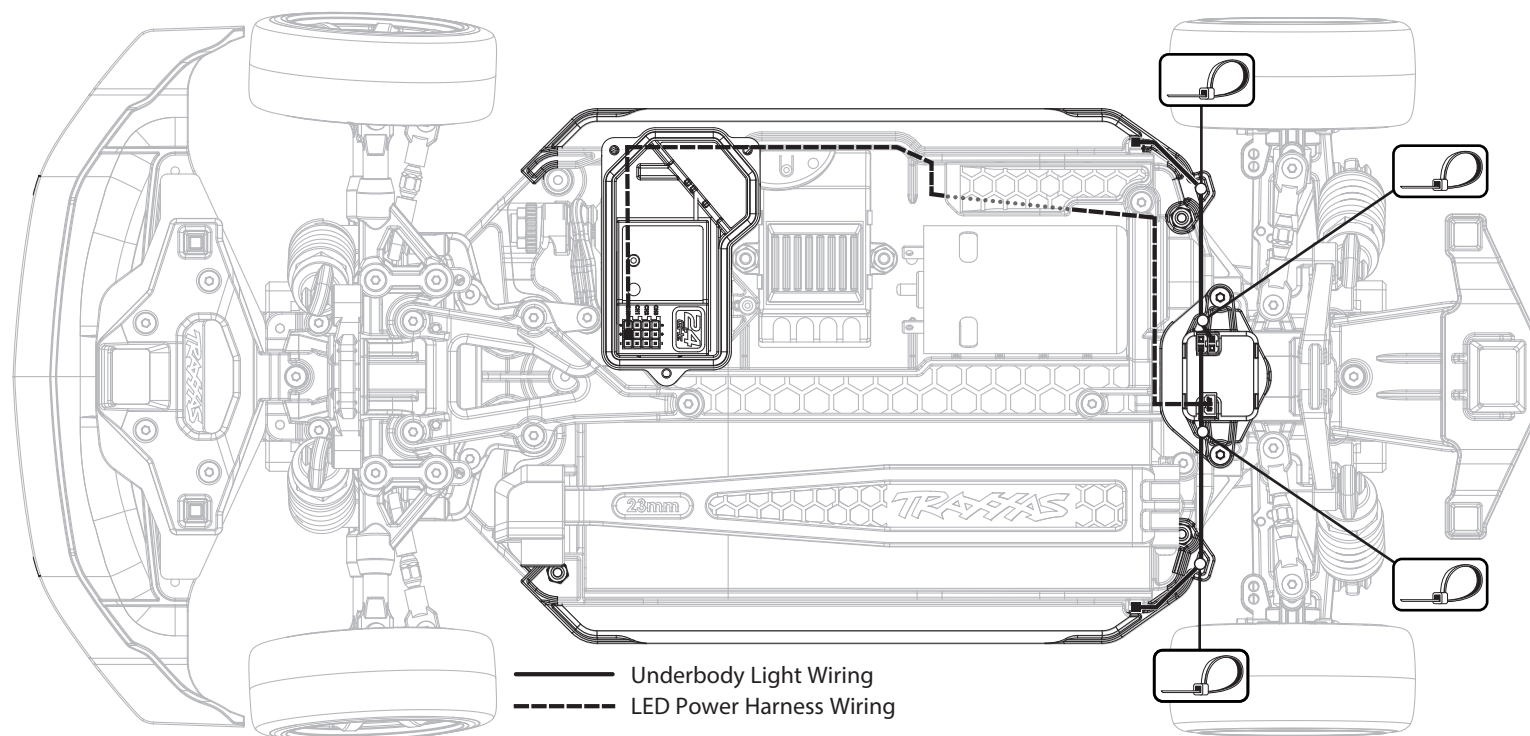


2. Install the underbody LED light assemblies (left & right) on the chassis using the included 3x20mm CCS (1), 3x23mm CCS (2) and M3x0.5 NL (3). Reinstall the 3x10mm FCS (1) removed in step 1.



3. Install the included expander mount on the chassis as shown, and then install the 3-volt accessory power supply on the expander mount with the included 3x10mm BCS (2).

Wiring Diagram



Route the wire harnesses from the underbody LED light assemblies to the accessory power supply. Use the included zip ties to secure the harnesses to the chassis in the locations shown. **Note: Ensure the wire harnesses are kept away from any moving parts and heated surfaces.**

Plug the black male connectors from the accessory power supply into the black female connectors from the underbody LED light assembly wire harnesses.

Plug the red male connector of the included LED power harness into the red female connector from the accessory power supply. Plug the other end of the power harness into any available channel on the receiver.

The accessory power supply and LED underbody lights will turn on when a battery is connected. Always disconnect the battery when not in use.

Limited Warranty Information

Traxxas electronic components are warranted to be free from defects in materials and workmanship for a period of 30 days from the date of purchase.

Limitations: Any and all warranty coverage does not cover replacement of parts and components damaged by abuse, neglect, improper or unreasonable use, crash damage, water or excessive moisture, chemical damage, improper or infrequent maintenance, accident, unauthorized alteration or modification or items that are considered consumable. Traxxas will not pay for the cost of shipping or transportation of a defective component to us.

Traxxas Lifetime Electronics Limited Warranty

After the expiration date of the warranty period, Traxxas will repair electronic components for a flat rate. Please visit Traxxas.com/support for a current schedule of warranty costs and fees. The covered repairs are limited to non-mechanical components that have NOT been subjected to abuse, misuse, or neglect. Products damaged by intentional abuse, misuse, or neglect may be subject to additional charges. Traxxas liability, in no case, shall be greater than the actual purchase price of this product. For replacement, product must be returned in brand new condition, with packaging and itemized sales receipt.